

# VENETIAN BLINDS INSTALLATION INSTRUCTIONS

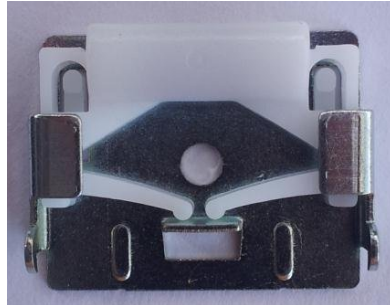
## IMPORTANT NOTES:

1. Please check that all parts (BRACKETS AND CHILD SAFETY DEVICE) have been supplied before you begin to assemble your new Custom Venetian Blind.
2. Ensure that the blind is mounted level for correct operation.

### Mounting Brackets



Inside Mount Bracket



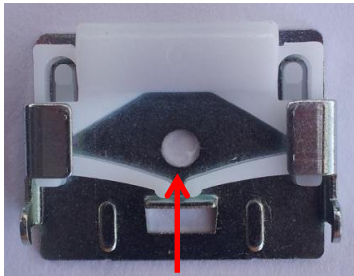
Inside Mount Bracket (Top View)



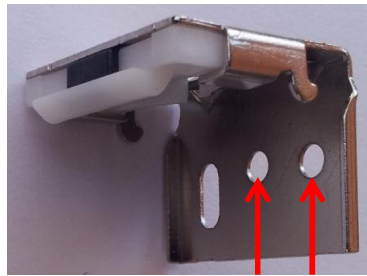
Outside Mount Bracket

1. Position the end brackets for fixing (either Inside Mount or Outside Mount) ensuring that the brackets are fixed approximately 50mm from the end of the blind. The centre bracket (required for blinds exceeding 1200mm width) may be positioned as required.

NOTE: Make sure not to position the brackets where they would interfere with the working mechanisms of the blind.

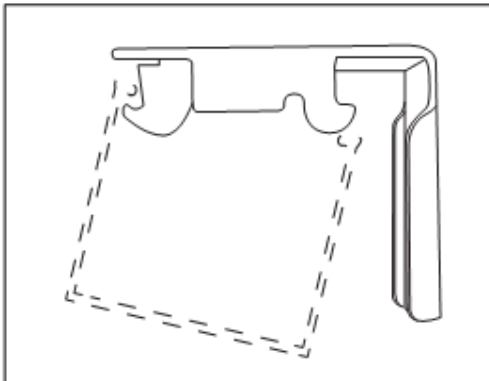


Inside Mount Screw Hole

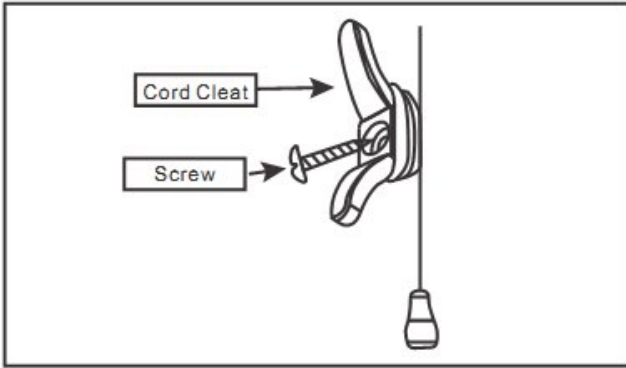


Outside Mount Screw Holes

2. Position the front edge of the track into the front hooks of the installation bracket and gently push upwards and the track will "snap" into position. ↓



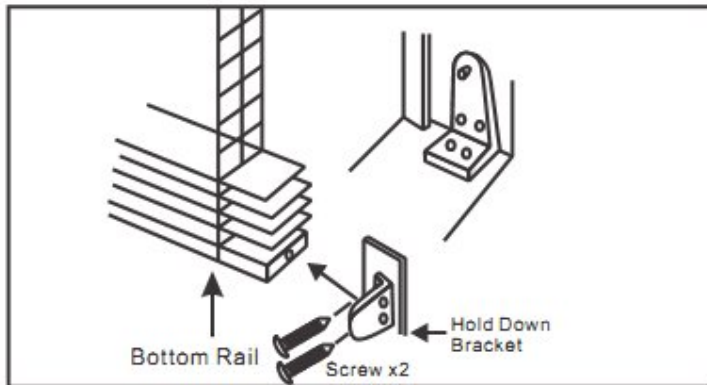
## Installing Cord Cleat



Cord cleats must be installed to comply with Regulations. The cleats must be installed at least 1600mm above floor level, because a child is capable of unwinding a cord from a cleat. Fasten the cleats to the wall using the screws provided. Do not use tape or glue to attach the cleats.

Note: The cord must be wrapped around the cord cleat to prevent child strangulation. The cord must not form a loop longer than 220mm, and should be wound entirely around the cleat.

## Installing Hold Down Bracket



The use of hold down brackets is recommended for additional child safety, but is not a requirement for the normal functioning of the blind. Using the two screws provided, attach the base of the hold down bracket to the window facing or sill. Additional fixing can also be fitted through the side of the bracket (where suitable). Snap bracket pin ends into the holes in the ends of the bottom rail.

### **WARNING - ALL WINDOW COVERINGS WITH CORD OR CHAIN!**

TO AVOID CREATING POSSIBLE STRANGULATION HAZARD FOR CHILDREN, THE CORDED OR CHAINED INTERNAL WINDOW COVERING MUST BE INSTALLED IN SUCH A WAY THAT A LOOSE CORD OR A CHAIN CANNOT FORM A LOOP 220mm OR LONGER AT A HEIGHT OF LESS THAN 1600mm ABOVE FLOOR LEVEL.

\* A CORD/CHAIN GUIDE MAY BE INSTALLED LOWER THAN 1600mm ABOVE FLOOR LEVEL IF THE CORD CHAIN IS SUFFICIENTLY SECURED OR TENSIONED TO PREVENT A LOOP 220mm OR LONGER FROM BEING FORMED.

\*IF A CORD/CHAIN GUIDE IS INSTALLED LOWER THAN 1600mm ABOVE FLOOR LEVEL, IT MUST BE DESIGNED TO PREVENT A CHILD FROM BEING ABLE TO REMOVE THE CORD/CHAIN.

\* IF A CLEAT IS USED TO SECURE THE CORD, IT MUST BE AT LEAST 1600mm ABOVE FLOOR LEVEL BECAUSE A CHILD IS CAPABLE OF UNWINDING A CORD FROM A CLEAT.