

VENETIAN BLINDS INSTALLATION INSTRUCTIONS

IMPORTANT NOTES:

1. Please check that all parts (BRACKETS AND CHILD SAFETY DEVICE) have been supplied before you begin to assemble your new Custom Venetian Blind.
3. To prevent damaging the headrail two people may be needed to support the blind while being mounted.
4. Outside Mount Blinds will have two side returns for the Valance and Inside Mount Blinds will only Fascia, no returns.
5. When lifting or lowering blinds you should have your blinds blades in the 'OPEN' position. Failure to have them in the "Open" position while lowering and lifting could restrict your blinds operation and the blind could get damaged. This would impact your blinds warranty.
6. If blinds are getting installed on plaster or wallboard where possible pick up the timber stud. If unable to locate the timber stud, use a suitable wall plug, toggle for plasterboard or hollow wall anchor to hold the brackets.

MOUNTING YOUR BLINDS.

1. Position the end brackets for fixing (either Inside Mount or Outside Mount) ensuring that the brackets are fixed approximately 100mm from the end of the blind. Spread the rest of the brackets evenly across the blind, maximum 900mm apart.

NOTE: Make sure not to position the brackets where they would interfere with the working mechanisms of the blind.

Mounting Brackets

Inside Mount Bracket



Inside Mount Bracket - Side View

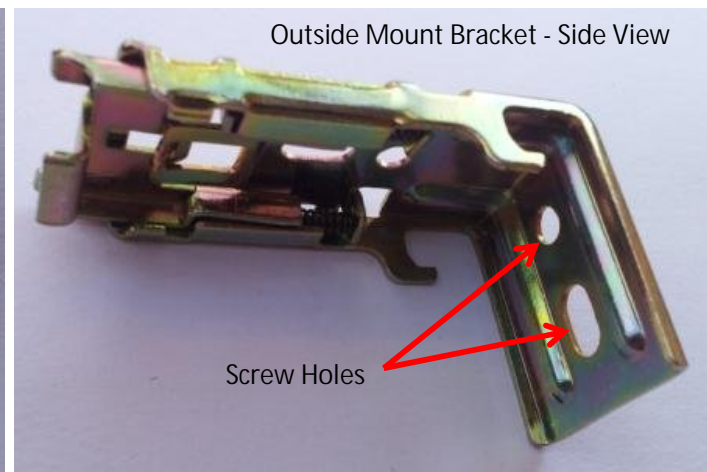


Screw Holes

Outside Mount Bracket

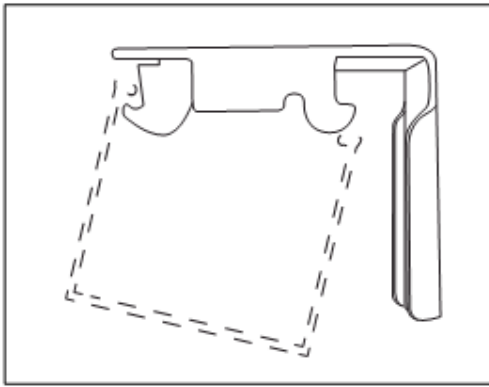


Outside Mount Bracket - Side View



Screw Holes

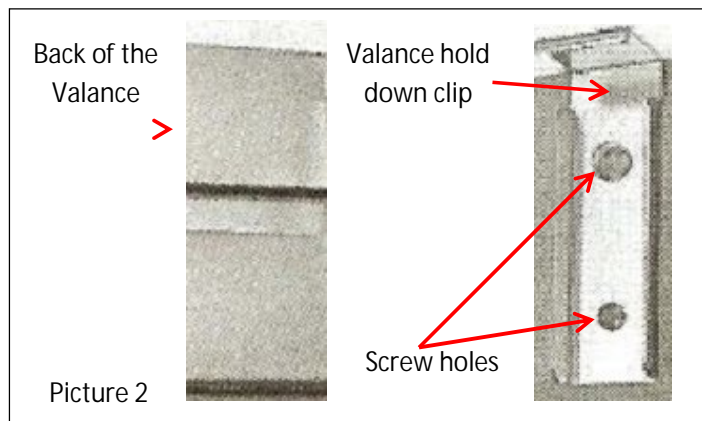
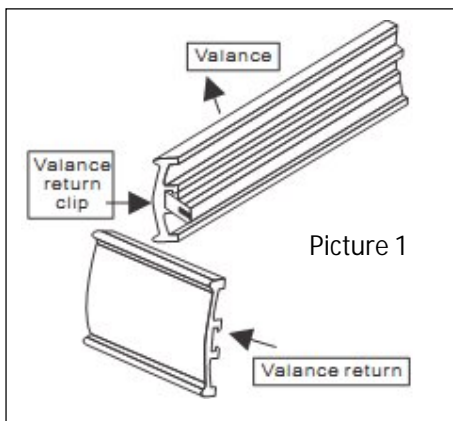
2. Position the front edge of the track into the front hooks of the installation bracket and gently push upwards and the track will “snap” into position.



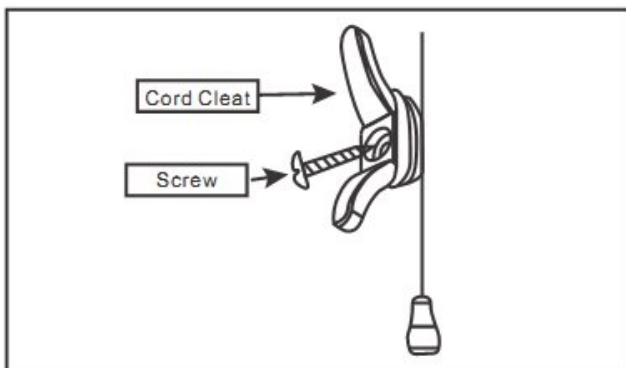
ATTACHING THE FASCIA

If the fascia returns (Picture 1) are not attached just clip them on using the clips on the back of the fascias.

If the fascia hang clips (Picture 2) are not attached , position them just under the top of the fascia, screw them on to the fascia and then just hang the fascia on the headrail. Press firmly and rotate to the correct position.



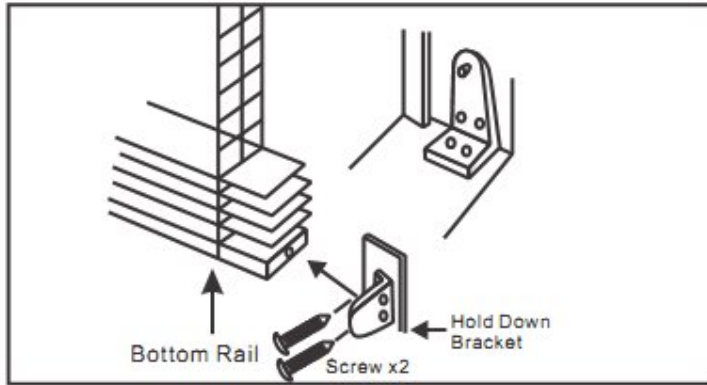
INSTALLING CORD CLEAT



Cord cleats must be installed to comply with Regulations. The cleats must be installed at least 1600mm above floor level, because a child is capable of unwinding a cord from a cleat. Fasten the cleats to the wall using the screws provided. Do not use tape or glue to attach the cleats.

Note: The cord must be wrapped around the cord cleat to prevent child strangulation. The cord must not form a loop longer than 220mm, and should be wound entirely around the cleat.

INSTALLING HOLD DOWN BRACKET



The use of hold down brackets is recommended for additional child safety, but is not a requirement for the normal functioning of the blind. Using the two screws provided, attach the base of the hold down bracket to the window facing or sill. Additional fixing can also be fitted through the side of the bracket (where suitable). Snap bracket pin ends into the holes in the ends of the bottom rail.

WARNING - ALL WINDOW COVERINGS WITH CORD OR CHAIN!

TO AVOID CREATING POSSIBLE STRANGULATION HAZARD FOR CHILDREN, THE CORDED OR CHAINED INTERNAL WINDOW COVERING MUST BE INSTALLED IN SUCH A WAY THAT A LOOSE CORD OR A CHAIN CANNOT FORM A LOOP 220mm OR LONGER AT A HEIGHT OF LESS THAN 1600mm ABOVE FLOOR LEVEL.

* A CORD/CHAIN GUIDE MAY BE INSTALLED LOWER THAN 1600mm ABOVE FLOOR LEVEL IF THE CORD CHAIN IS SUFFICIENTLY SECURED OR TENSIONED TO PREVENT A LOOP 220mm OR LONGER FROM BEING FORMED.

* IF A CORD/CHAIN GUIDE IS INSTALLED LOWER THAN 1600mm ABOVE FLOOR LEVEL, IT MUST BE DESIGNED TO PREVENT A CHILD FROM BEING ABLE TO REMOVE THE CORD/CHAIN.

* IF A CLEAT IS USED TO SECURE THE CORD, IT MUST BE AT LEAST 1600mm ABOVE FLOOR LEVEL BECAUSE A CHILD IS CAPABLE OF UNWINDING A CORD FROM A CLEAT.